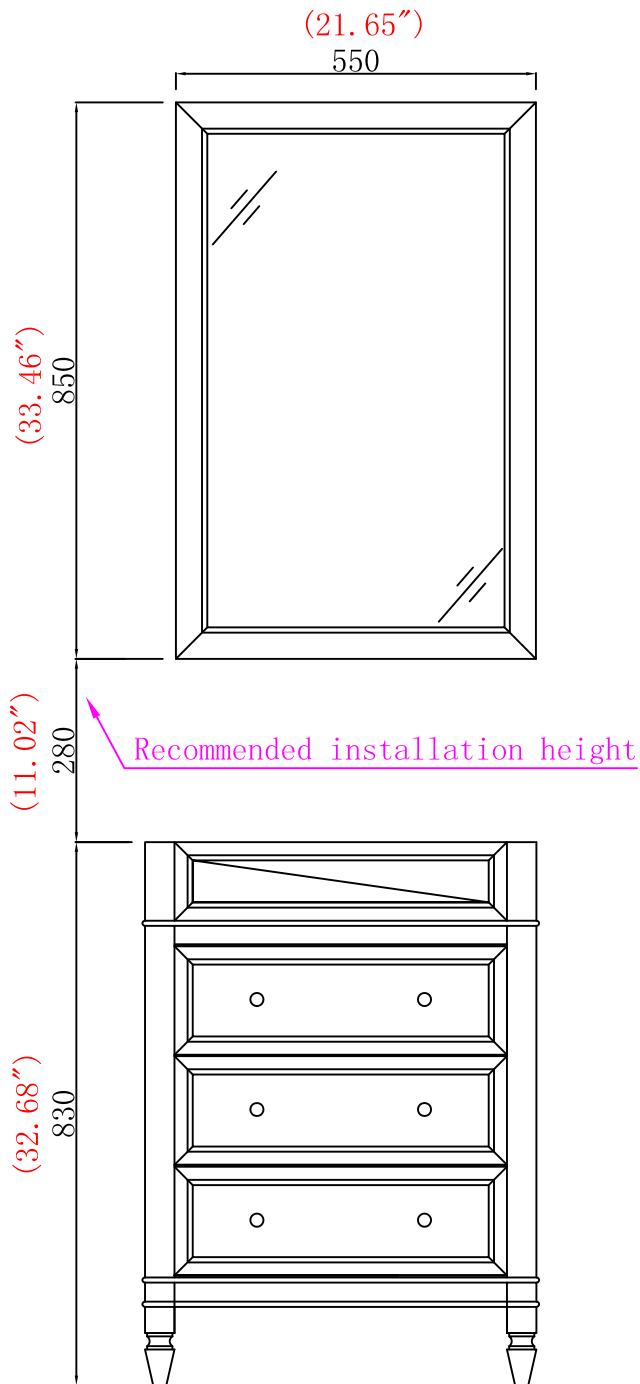




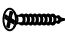


Item No. :CH24

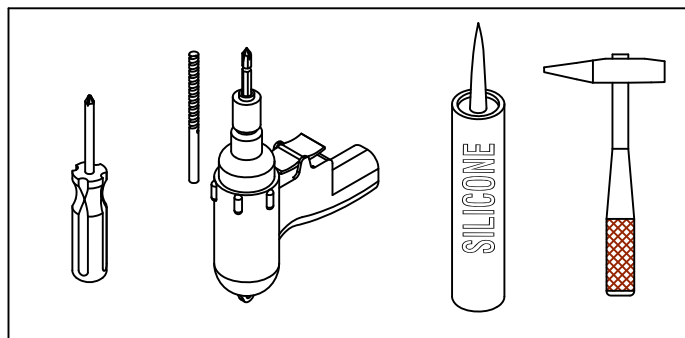


Hardware

NO.	Draw	QTY
A		2
B		2
C		2
D		4
F	 (3.5*60)	4

FLOOR

Tools

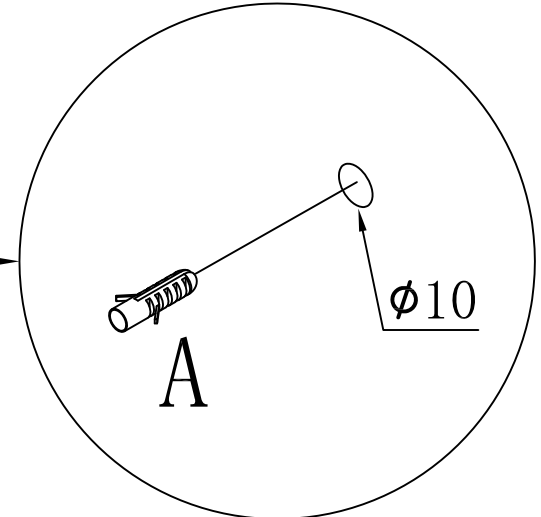
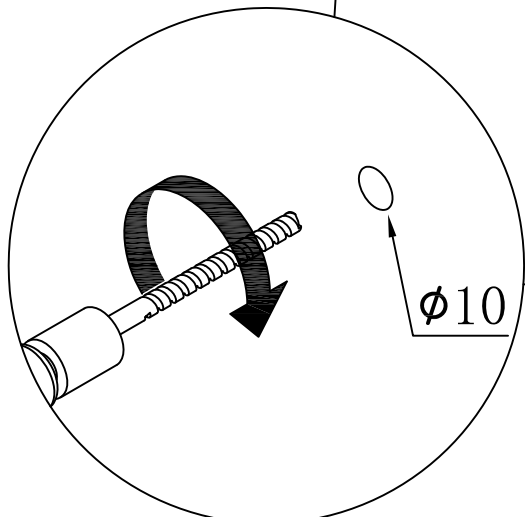
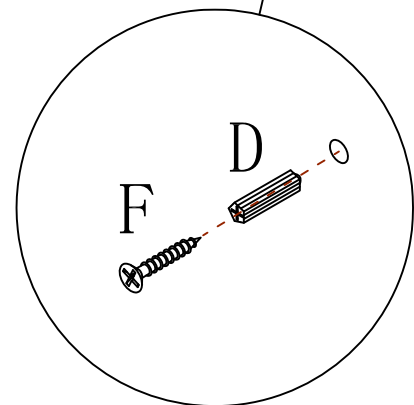
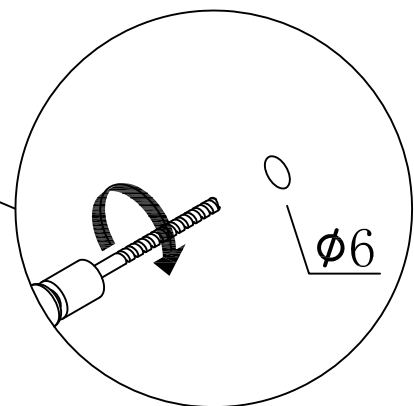
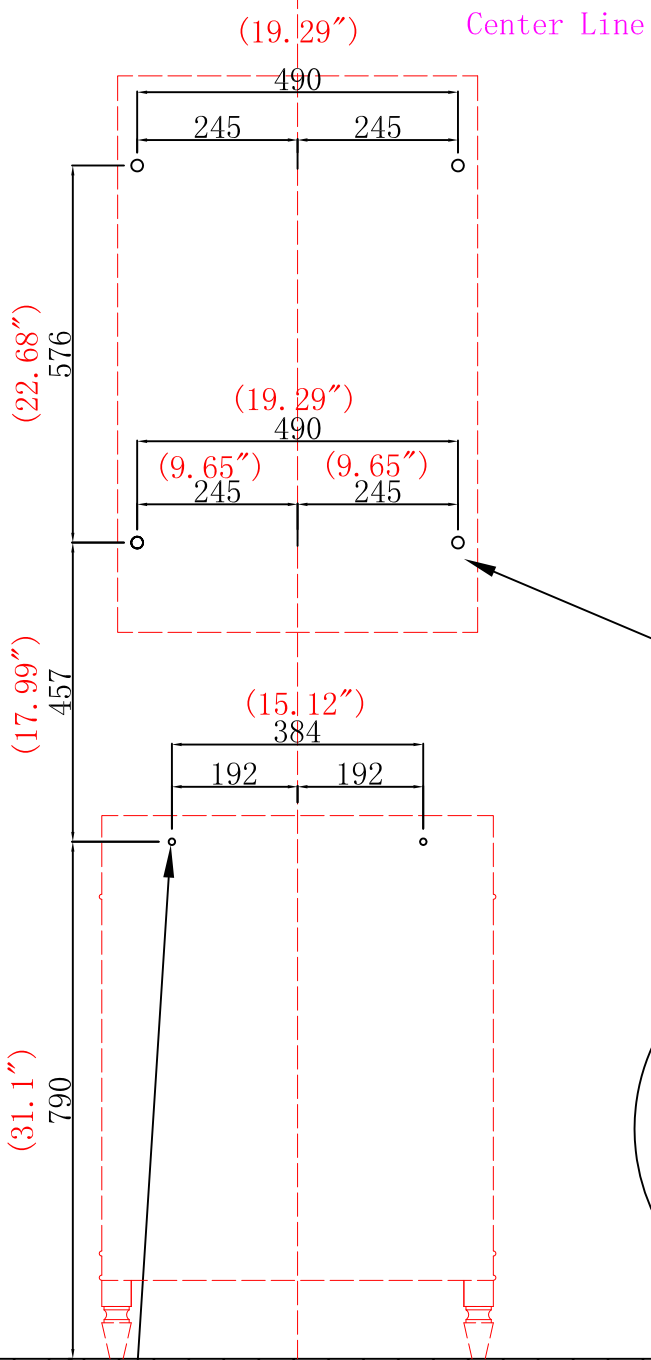


Step 1

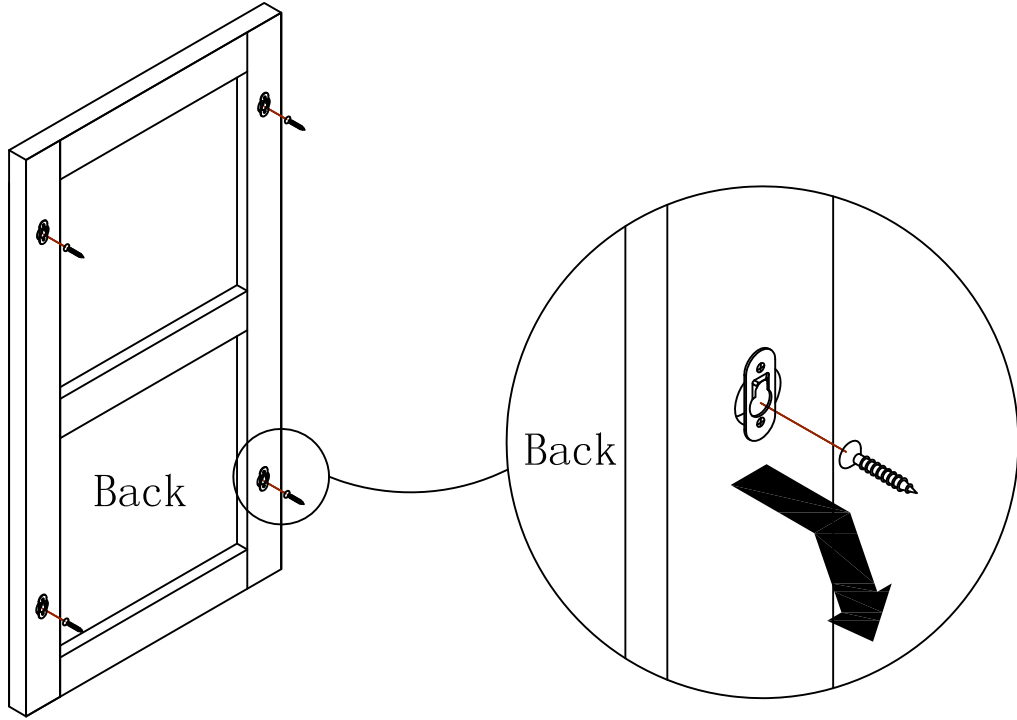
WALL

WALL

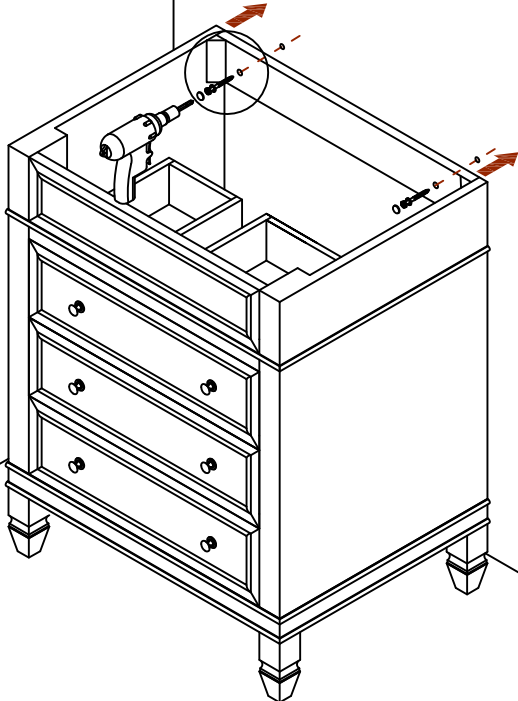
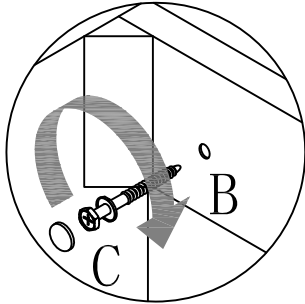
FLOOR



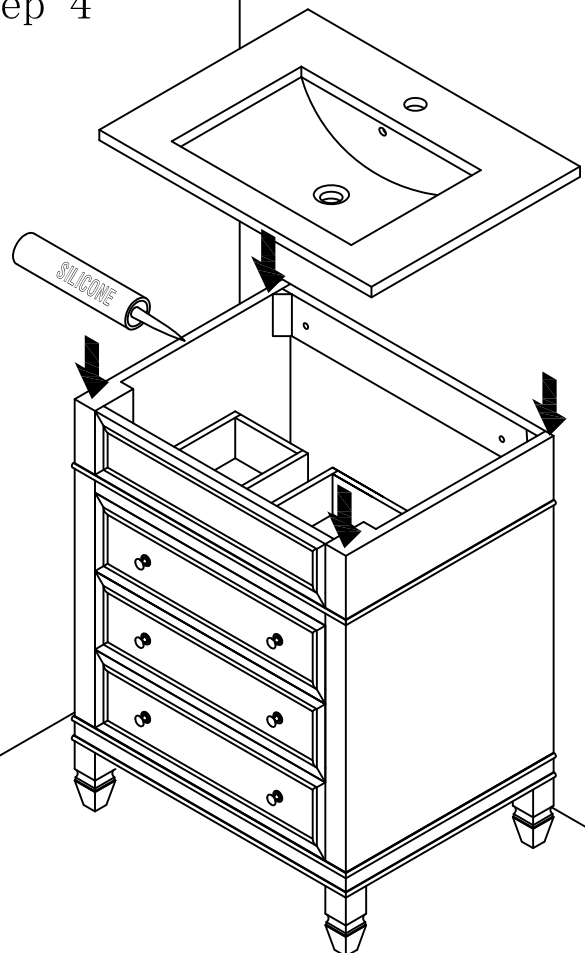
Step 2



Step 3



Step 4



Step 5

